

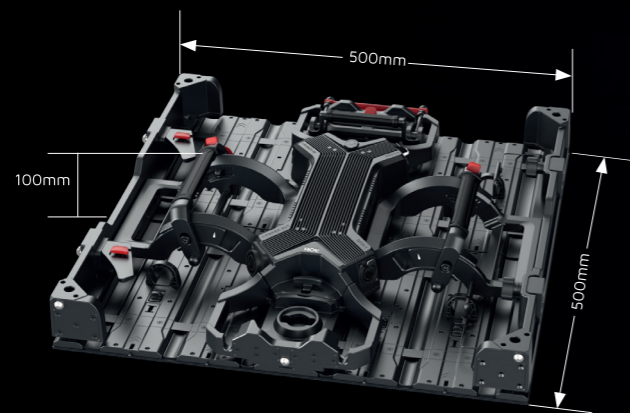
Specifications

Ruby C	RB C 2.3
Pixel Pitch	2.31mm
Max Brightness Calibrated	1500nits
Panel Dimension	500mm x 500mm x 100mm 19.7" x 19.7" x 3.94"
Panel Resolution (H x V)	216 x 216
Panel Weight	7.4kg / 16.31lbs
Power Consumption Max / Average	180W / 90W
BTU Max / Average	614 / 283
Transparency	Solid
Serviceability	Rear
Curving (Concave & Convex) *1	Concave 30°-Convex 30°
Max. Hanging (panels) *2	20
Max. Stacking (panels) *3	12
LED Configuration	4 in 1 common cathode
Viewing Angle Horizontal	140°
Viewing Angle Vertical	140°
Scan Ratio	1/12
Refresh Rate	3840Hz
Gray Scale	16bit
Frame Material	Magnesium Alloy
Processing Platform	MVR / Brompton
Operational Temp / Humidity	-20°-45°C, 10-90%RH -4°-113°F, 10-90%RH
Storage Temp / Humidity	-40°-60°C, 10-90%RH -40°-140°F, 10-90%RH
IP Rating	Indoor
Certifications	CE, ETL, FCC

Notes: The Specifications are for reference, actual values may vary.

1. Convex curving ability only applies to custom tiles.
2. The max. hanging amount is only valid when the ROE Visual hanging bar and complementary accessories are used and in an indoor situation, safety factor is 8. No climbing is allowed.
3. The max. stacking amount is only valid when the ROE Visual stacking system and complementary accessories are used, sufficient ballast is applied and in an indoor situation. No climbing is allowed.

Dimensions

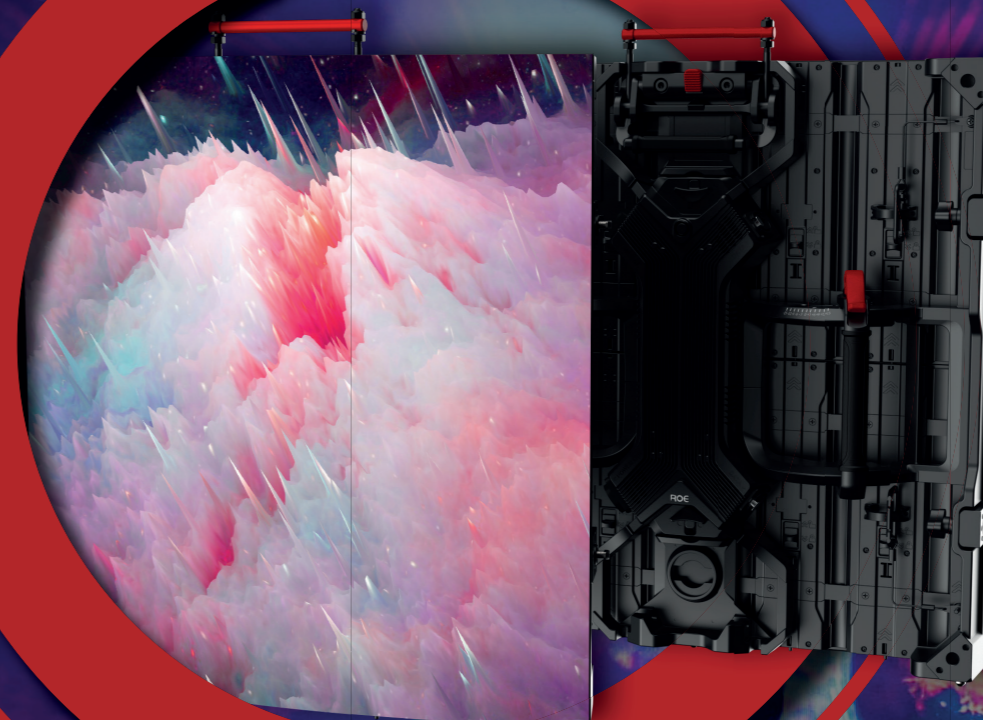


www.roevisual.com

ROE Visual Co., Ltd. | ROE Visual US, Inc. | ROE Visual Europe BV
roe@roevisual.com | roe@roevisual.com | roe@roevisual.com

ROE

CREATIVE DISPLAY



Ruby C2.3

The Next Level Curving LED Panel for Rental Solutions

INDOOR LED PANELS

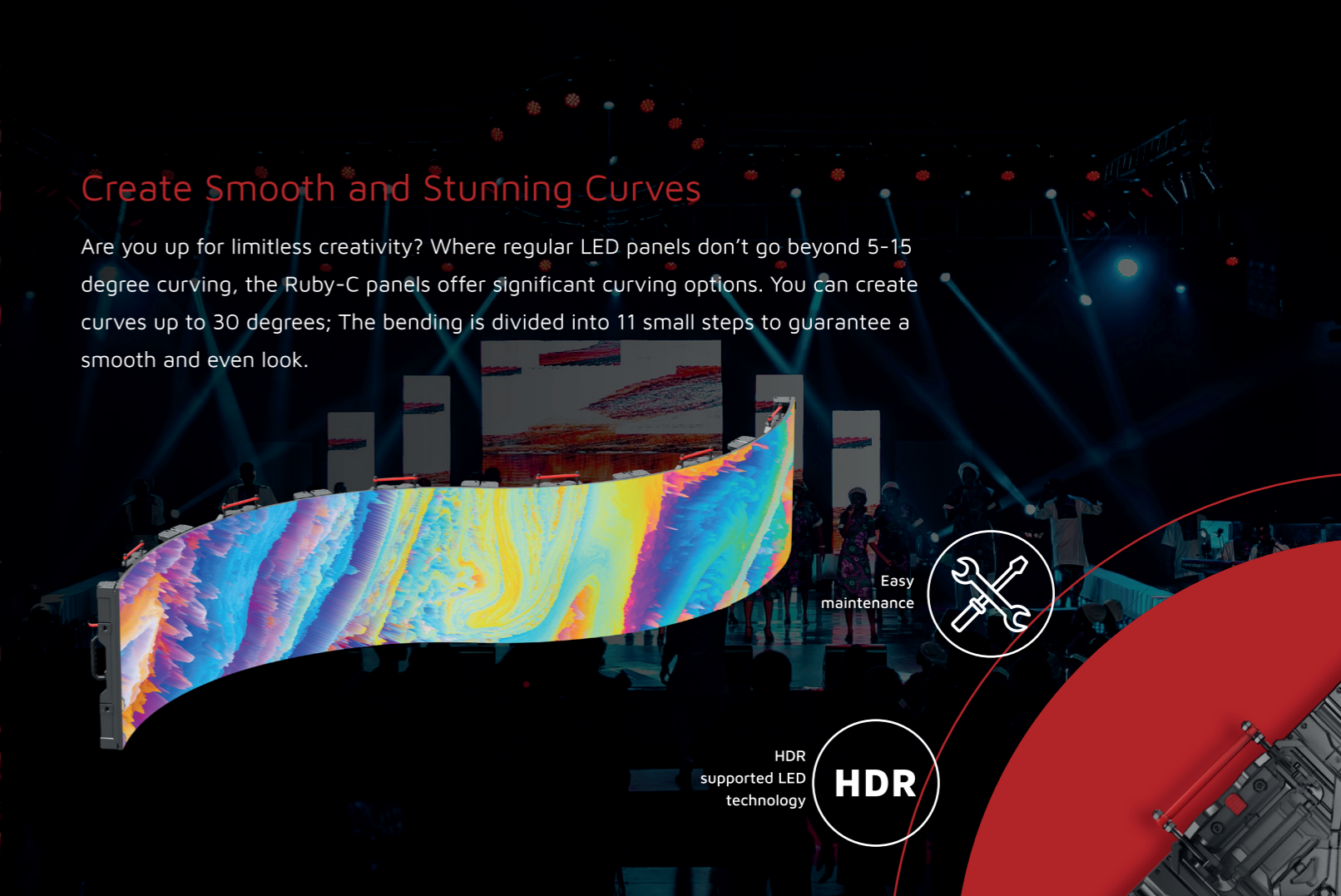
Perfect curves

Using the Ruby-C LED panels you can create smooth and perfect curved or flat displays. You choose.



Create Smooth and Stunning Curves

Are you up for limitless creativity? Where regular LED panels don't go beyond 5-15 degree curving, the Ruby-C panels offer significant curving options. You can create curves up to 30 degrees; The bending is divided into 11 small steps to guarantee a smooth and even look.



Easy maintenance

HDR supported LED technology



Excellent Viewing Performance

With its high-brightness LED performance, the Ruby panels give an excellent visual performance for both direct viewing and in-camera visuals.

Through its efficient heat-dissipation, using the common cathode technology, color differences in the LEDs are reduced.



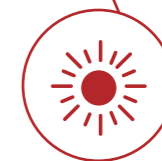
Fast and Convenient Curve Adjustment

The Ruby-C panels are well designed with multi-function handles. Operation can be finished just in one hand, simply and fast adjusted as well.

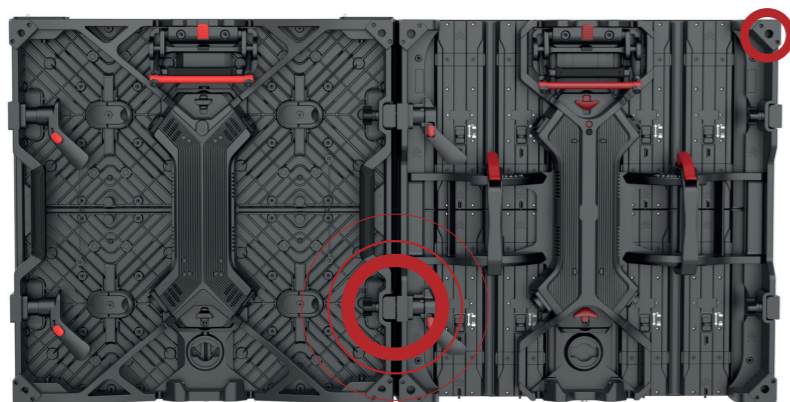
Modular design PSU and HUB combined in one unit



High-brightness



Tunnel/Archway/
Wave concave or convex/
Cylinder/Flat set up



Synergy

The Ruby-C and Ruby panels are interchangeable. Combining both LED panel in one wall, you can create perfect curves.



Easy Maintenance with Module Design

Offering both front and rear module service, the Ruby-C panels are easy to service. The integrated PSU and Hub units make on-site servicing easy and cost-effective.